

2" SpinKlin™ DISC FILTERS

Modular, all polymeric, automatic disc filters with a patented self-cleaning backwash mechanism.



High
Efficiency



Durable Non
Corrosive Materials



Modular
& Flexible

Benefits & Features

- ✓ High filtration efficiency providing maximum protection for your irrigation systems
- ✓ Modular design for ease of installation and expansion
- ✓ Durable and long-lasting product made from anti-corrosive materials
- ✓ Short and efficient backwash process
- ✓ Available for low and high pressure applications - saving water and energy
- ✓ Small footprint - saves valuable space

Specifications & Recommendations

- **Maximum operating pressure:**
High pressure model: 100 M
Low pressure model: 60 M
- **Minimum backflush pressure required:**
High pressure model: 28 M
Low pressure model: 15 M
- **Minimum allowable pH:** 5

→ APPLICATIONS

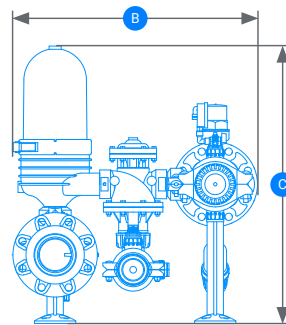
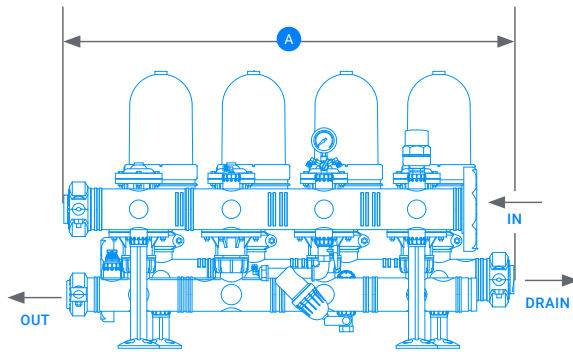
Primary or secondary automatic filter for maximum protection in systems irrigating with surface water that contains algae and other organic matter such as reservoirs, canals, rivers and wastewater applications.

→ TECHNICAL DETAILS

		2 UNITS	3 UNITS	4 UNITS
MAX PRESSURE		100 M		
MIN BACK FLUSH PRESSURE		28 M		
RECOMMENDED FLOW RATE (130 MICRONS)	AVERAGE	26 M ³ /H	39 M ³ /H	52 M ³ /H
	POOR	20 M ³ /H	30 M ³ /H	40 M ³ /H
FILTRATION AREA		1,760 CM ²	2,640CM ²	3,520 CM ²
INLET/OUTLET DIAMETER		100 MM		
BACK FLUSH FLOW RATE		10 M ³ /H		

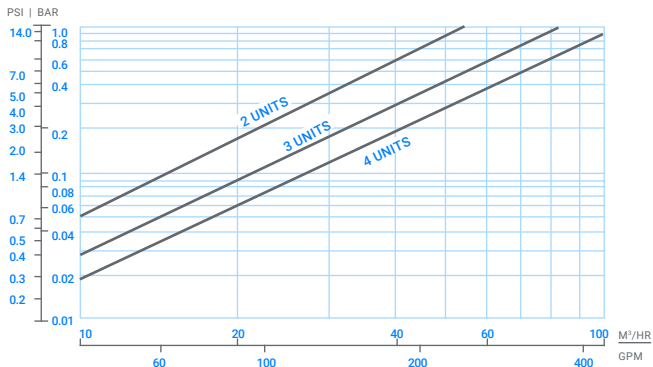
* Additional configurations are available upon request

→ DIMENSIONS



	2 UNITS	3 UNITS	4 UNITS
A LENGTH	706 MM	964MM	1214MM
B WIDTH	660MM		
C HEIGHT	747MM		

→ HEAD LOSS



→ DISC COLOR / MICRON

MODEL	BLUE	YELLOW	RED	BLACK
MICRON	400	200	130	100

→ WATER QUALITY (130 MICRON)

WATER QUALITY	2" SPIN KLIN™
GOOD	14
AVERAGE	13
POOR	10